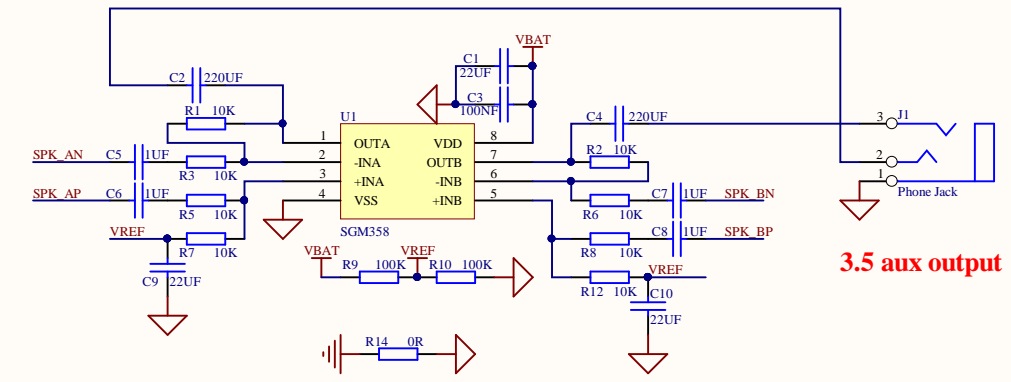


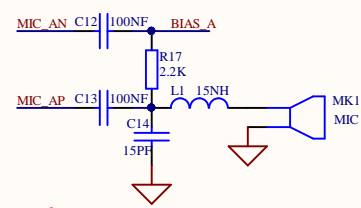
Bluetooth module



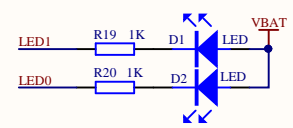
Button boot



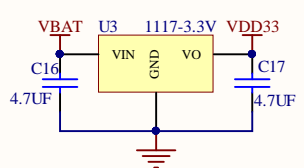
Differential to single-ended analog audio output



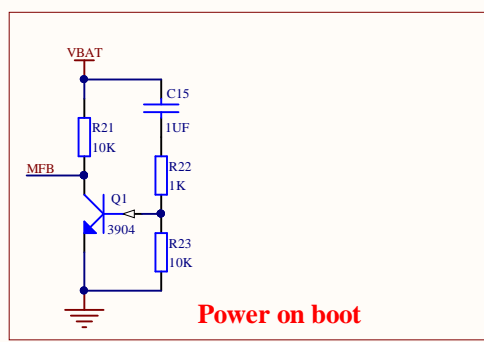
Microphone input



LED : led0 red led1 blue

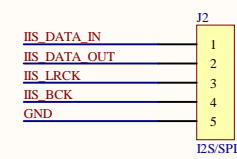


VBAT voltage 3.3-4.2V



Power on boot

Add delay circuit when power on boot



When SPDIF is output, the output pin is IIS_DATA_OUT

I2S/SPDI Digital audio output

Title		
Size	Number	Revision
A4		
Date:	2021/4/22	Sheet of
File:	d:\Users\Leao\Desktop\BTM875-E.Sch	Drawn By: