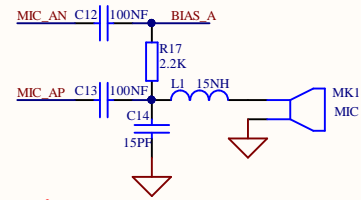


Differential to single-ended analog audio output



microphone input

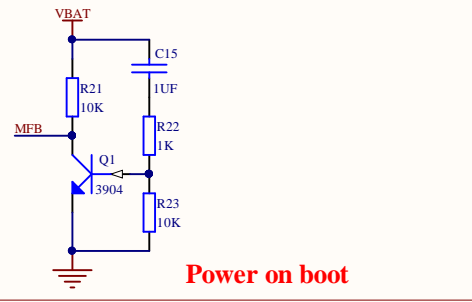
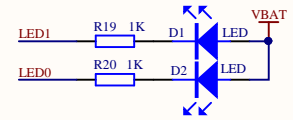
SPI debug

SPI_PCM=1:SPI_MODE

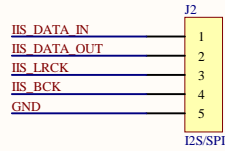
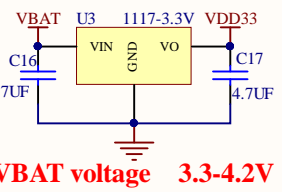
SPI_PCM=0:PCM

bluetooth module

Button boot



Add delay circuit when power on boot



When SPDIF is output, the output pin is IIS_DATA_OUT

Title		
Size	Number	Revision
A4		
Date:	2021/1/23	Sheet of
File:	E:\Bluetooth\BTM875-W.Sch	Drawn By: